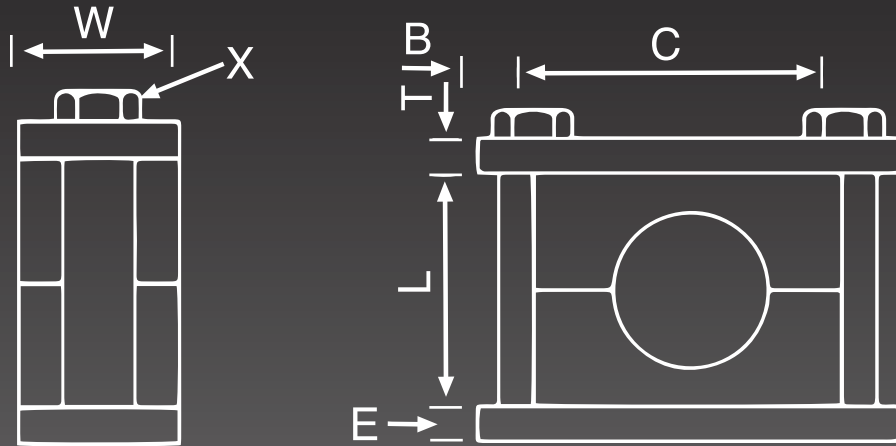


TRU-GRIP CLAMPS



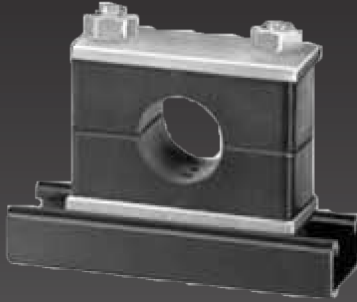
PIPE & CLAMP SIZE CONFIGURATION INFORMATION

PIPE SIZE	CLAMP NUMBER	DIMENSIONS IN INCHES						
		B	C	E	L	T	W	X
.5"	TG-107-SB-1-R-1/2 P	.375	2.000	.312	1.850	.187	1.000	5/16-18
.75"	TG-107-SB-1-R-3/4 P	.375	2.000	.312	1.850	.187	1.000	5/16-18
1"	TG-107-SB-1-R-1 P	.375	2.000	.312	1.850	.187	1.000	5/16-18
1.25"	TG-115-SB-1-R-1 P	.500	2.500	.375	2.125	.250	1.250	7/16-14
1.5"	TG-120-SB-1-R-1-1/2 P	.500	3.000	.375	2.265	.250	1.250	7/16-14
2"	TG-125-SB-1-R-2 P	.500	3.500	.375	3.125	.250	1.250	7/16-14
2.5"	TG-30-SB-1-R-2-1/2 P	.625	4.250	.500	3.600	.375	1.750	1/2-13
3"	TG-35-SB-1-R-3 P	.625	4.770	.500	4.000	.375	1.750	1/2-13
4"	TG-45-SB-1-R-4 P	.625	5.575	.500	5.000	.375	1.750	1/2-13

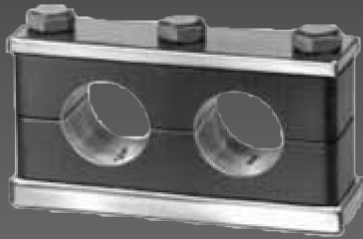
CUSTOM DESIGNS AND CONFIGURATIONS AVAILABLE



Single Welded



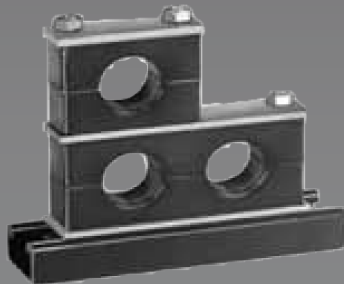
Single Channel Mount



Double Welded



Double Stack Welded



Custom

